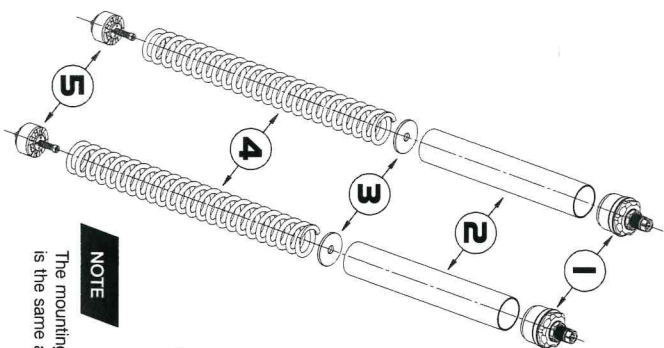


INSTALLATION MANUAL FORK UPGRADE KIT



NOTE
The mounting of Yss Fork Spring is the same as original

PART LIST

- | | |
|-------------------------------------|--------|
| 1. YSS Fork Spring Preload Adjuster | 2 Pcs. |
| 2. Fork Spring Spacer Tube | 2 Pcs. |
| 3. Steel Plate Support Spring | 2 Pcs. |
| 4. YSS Fork Spring | 2 Pcs. |
| 5. YSS PD Fork Valve | 2 Pcs. |

WARNING

- Fork Upgrade Kit must be installed by the Manufacturer or Authorized Distributor only. Please follow the Instruction, fail to do so may cause harm or injury when Installings. YSS will Not be Responsible for this Case.
- Fork Spring coated with Anti-corrosion liquid. Please use the Spring within 1 week after Removing off the Plastic Wrap
- For further enquiry, please contact YSS.
e-mail : marketing@yss.co.th

TOOLS REQUIRED

- Tape Measure
- Yss Fork Fluid

RECOMMEND

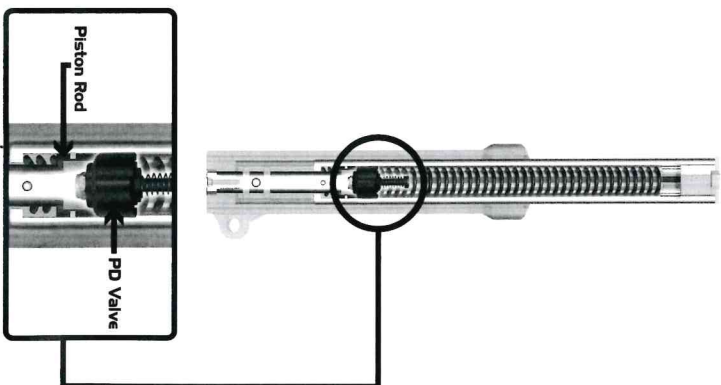
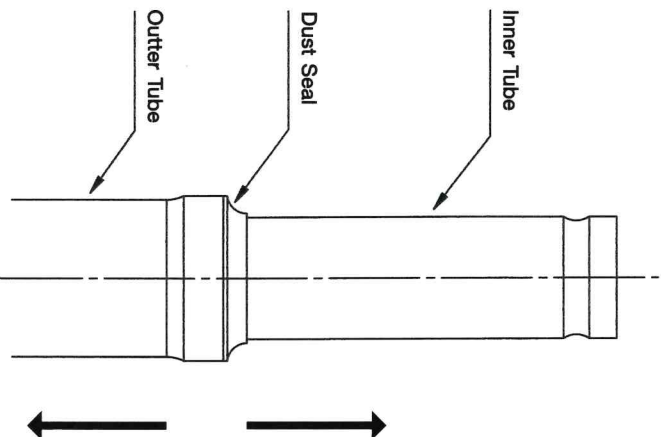
- Choose correct Fork Upgrade Kit for your Motorcycle. Consult YSS Service Center or www.ysssuspension.com
- Check the Proper Fit before Installation

INSTALLATION

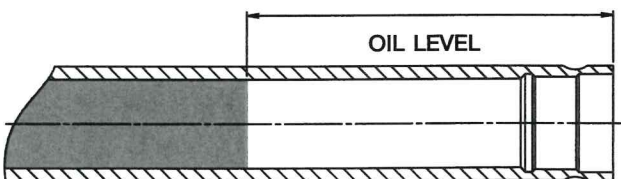
Note : All these Steps should be Done by a Suspension Technician

- Remove the Fork from the Motorcycle (Measure how much the forks are through the triple clamp)
- Remove the Top Fork Cap
- Remove the Fork Spring
- Remove Old Fork Oil
- Install the YSS FORK FLUID, use the Oil Viscosity as recommended by YSS Manual
- Pump the Fork for Bleeding (15-20 times)
- Drop YSS PD FORK VALVE down the tube to sit on the Piston Rod with the PD Valve Spring facing up

Note : If Use the PD VALVE SPACER / Assembly The spacer to PD FORK VALVE before assembly to the Front Fork.



- Check the Oil Level (Oil Height) recommended by YSS Manual or www.ysssuspension.com



REMARK :

- Insert the Yss Fork Spring into the Inner Tube on the Top of Yss Pd Fork Valve (The mounting of Yss Fork Spring is the same as original)
- Install Fork Spring Spacer
- Recheck the Spring Preload
- Install the Yss Fork Spring Preload Adjuster
- Assemble the Fork back in to the Motorcycle completely
- Tighten all bolts Torque to Spec
- Push the Front of the Bike a few times before Use

