



SPARES for ROYAL ENFIELD & AMAL

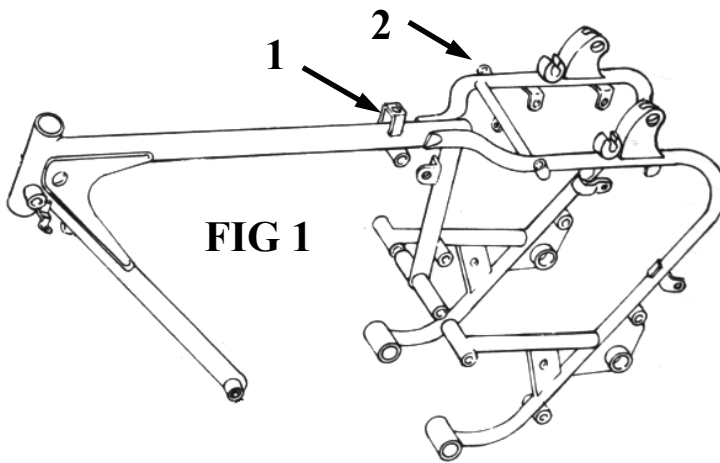
EMAIL: [info@hitchcocksmotorcycles.com](mailto:info@hitchcocksmotorcycles.com)  
WEB: [www.hitchcocksmotorcycles.com](http://www.hitchcocksmotorcycles.com)

HITCHCOCK'S MOTORCYCLES LTD  
ROSEMARY COURT  
OLDWICH LANE WEST  
CHADWICK END  
SOLIHULL  
B93 0EY ENGLAND

TELEPHONE: 01564 783 192  
FAX: 01564 783 313

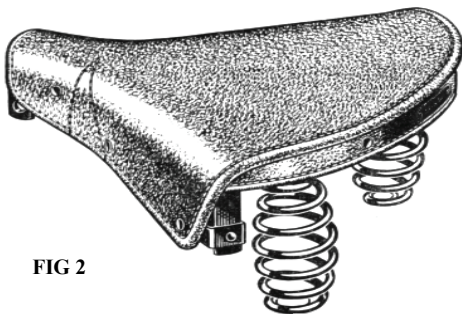
## FITTING INSTRUCTIONS FOR SINGLE SEAT (92505)

Please note this kit can only be used if you have the bracket marked "1" on your frame. This bracket is omitted on some frames.



Remove kit and check all parts are correct as in FIG 4.

1. Fit springs (C) as per FIG 2 to underside of saddle using 2 x 8mm nuts, bolts and washers as shown in FIG 4 (B).
2. Fit front saddle bracket A (FIG 4) to underside of frame bracket 1 as shown in FIG 1 using 3/8 bolt and washer provided.
3. Fit flat brackets B (FIG 4) loosely to bottom of springs using 8mm nuts, bolts and washers.
4. Offer assembly onto the bike fixing the front of saddle to frame using 8 mm nut, bolt and washer as in FIG 3



5. Fit flat brackets attached to the bottom of springs to the studs on frame as seen in FIG 1 (2) using original nuts and washers.

6. With seat now in position now tighten all nuts and bolts.

FIG 2

6. With seat now in position now tighten all nuts and bolts.

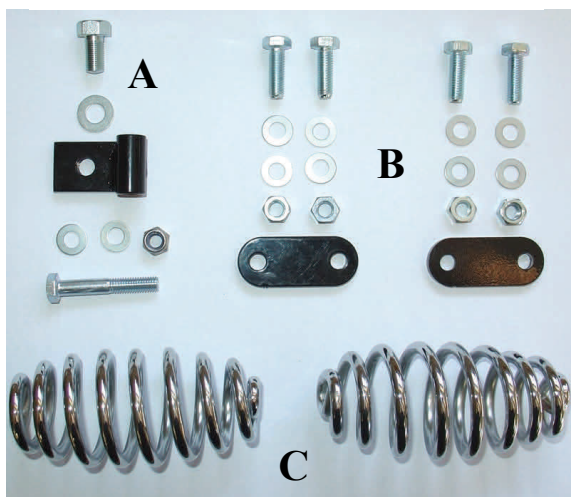


FIG 4

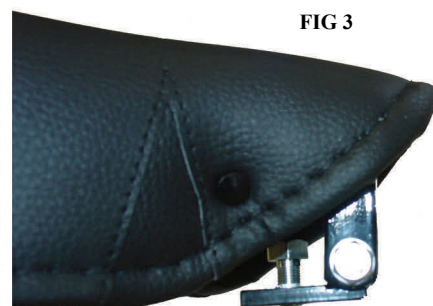


FIG 3